

Copyright © 1966, by the author(s).
All rights reserved.

Permission to make digital or hard copies of all or part of this work for personal or classroom use is granted without fee provided that copies are not made or distributed for profit or commercial advantage and that copies bear this notice and the full citation on the first page. To copy otherwise, to republish, to post on servers or to redistribute to lists, requires prior specific permission.

CONSTANT RESISTANCE, WIDE-SENSE SOLVABILITY,
AND SELF-DUALITY

by

C. A. Desoer
R. W. Newcomb
K. K. Wong

Memorandum No. ERL-M182

28 September 1966

ELECTRONICS RESEARCH LABORATORY

College of Engineering
University of California, Berkeley
94720

CONSTANT RESISTANCE, WIDE-SENSE SOLVABILITY, AND SELF-DUALITY*

C. A. Desoer,[†] R. W. Newcomb,[§] and K. K. Wong[†]

Using his concept of system function, Zadeh has shown that every self-dual one-port made of linear time-varying elements is a constant resistance one-port [1]. Recently we gave instances of constant resistance one-ports that have nonlinear, time-varying elements. Some of these one-ports are self-dual networks [2-4]. Here we give a precise condition for the truth of the statement "every self-dual one-port is constant resistance and conversely every constant resistance one-port is self-dual." This proposition has recently acquired more importance since wide classes of self-dual one-ports can easily be generated [4-5]. This paper is an extension of a previous paper [6] in that we adopt exclusively a black-box point of view, and it proves the equivalence completely.

We assume throughout that all one-ports under consideration have been created at $t = -\infty$ and that at the time of their creation they are in their zero-state. Similarly, any interconnection of one-ports is assumed to be done at $-\infty$. As a consequence, all waveforms under consideration are defined on $(-\infty, \infty)$.

By definition, a one-port \mathcal{N} is specified as the set of all voltage current pairs $[v(\cdot), i(\cdot)]$ it allows. A one-port \mathcal{N}^* is said to be the dual of \mathcal{N} whenever the following condition holds: $[f, g] \in \mathcal{N}^*$ if and only if $[g, f] \in \mathcal{N}$. A one-port \mathcal{N} is said to be self-dual whenever $[f, g] \in \mathcal{N}$ implies $[g, f] \in \mathcal{N}$. This point of view amounts to thinking of a one-port as a binary relation on some function space [7, p. 9]; the converse relation is the dual one-port; a one-port is self-dual if and only if its defining relation is symmetric. Given a one-port \mathcal{N} , we define the augmented one-port \mathcal{N}_a by its ordered pairs: $[v + i, i] \in \mathcal{N}_a$ when and only when $[v, i] \in \mathcal{N}$; \mathcal{N}_a has an obvious interpretation given in Fig. 1a. Any voltage $e(\cdot)$ such that $e = v + i$ for some $[v, i] \in \mathcal{N}$ is called an allowed voltage of \mathcal{N}_a . We now slightly extend the concept of solvability

* The research reported herein was supported in part by the National Science Foundation under Grant GK-716, in part by the U. S. Army Research Office--Durham under Grant DA-ARO-D-31-124 (both grants to the Electronics Research Laboratory, University of California, Berkeley) and in part by the Air Force Office of Scientific Research under Grant AF-AFOSR-337-63 to Stanford University, Stanford, California.

[†] Department of Electrical Engineering and Electronics Research Laboratory, College of Engineering, University of California, Berkeley.

[§] Department of Electrical Engineering, Stanford University, Stanford, California.

[8, p.113; 9, p.9] by considering only a restricted class of $e(\cdot)$'s, namely those allowed by \mathcal{N}_a . \mathcal{N} is said to be wide-sense solvable (abbreviated as w.s. solvable) if for all allowed $e(\cdot)$, the equation $i(\cdot) + v(\cdot) = e(\cdot)$ has a unique solution $[v(\cdot), i(\cdot)] \in \mathcal{N}$. Physically, w.s. solvability means that if a voltage source (whose voltage $e(\cdot)$ is an allowed voltage of \mathcal{N}_a) is connected to \mathcal{N}_a , then the port voltage and port current of \mathcal{N} are uniquely determined. Note that the nullator is not solvable in the sense of Youla et al. [8] and Newcomb [9] but is w.s. solvable.

When we consider the one-port \mathcal{N} as a "constant resistance one-port" we only allow \mathcal{N} to be connected to one-ports \mathcal{N}' such that the connection $\mathcal{N} - \mathcal{N}'$ is determinate, i. e., the port voltage $v(\cdot)$ and the port current $i(\cdot)$ of \mathcal{N} are uniquely determined. Such one-ports \mathcal{N}' are said to be compatible with \mathcal{N} . If \mathcal{N} is solvable, then the series connection of a one-ohm resistor and a voltage source e where e is an allowed voltage of \mathcal{N}_a is a one-port compatible with \mathcal{N} . If all connections $\mathcal{N} - \mathcal{N}'$ where \mathcal{N}' is compatible with \mathcal{N} have the property that the port voltage $v(\cdot)$ (of \mathcal{N}) is equal to the port current $i(\cdot)$ (of \mathcal{N}), we say that \mathcal{N} is constant resistance. By including a scale factor, this definition can be extended to include the case where for all such connections, $v(\cdot) = ki(\cdot)$, where k is a fixed non-zero real number independent of $i(\cdot)$, $v(\cdot)$, and t . We want now to prove the

Theorem. A one-port \mathcal{N} is constant resistance if and only if \mathcal{N} is w.s. solvable and self-dual.

Proof. 1. Wide-sense solvability and self-duality imply constant resistance. Let $\mathcal{K}(v)$ denote any member of $\{\hat{i}: [v, \hat{i}] \in \mathcal{N}\}$; \mathcal{K} is not necessarily a function but describes the relation defining \mathcal{N} . From Fig. 1b, and the w.s. solvability assumption, the equation

$$e = v + \mathcal{K}(v) \quad (1)$$

has a unique solution for all allowed e . Figure 1c shows the dual of Fig. 1b; then, with the notations shown in Fig. 1c, $\hat{i} = v$ and $\hat{v} = i$, by duality. By self-duality, $i = \mathcal{K}(v)$ implies $v = \mathcal{K}(i)$, or what is the same $\hat{i} = \mathcal{K}(\hat{v})$. From Fig. 1c, KCL gives $\hat{j} = e = \hat{v} + \hat{i}$,

$$\text{hence} \quad e = \hat{v} + \mathcal{K}(\hat{v}). \quad (2)$$

Since for all allowed e , this equation has a unique solution, Eqs. (1) and (2) imply that $v = \hat{v}$. Hence, $v = i$ and the one-port \mathcal{N} is equivalent to a one-ohm resistor when it is driven by any allowed voltage source in series with a one-ohm resistor. That it is equivalent to a one-ohm resistor under all compatible connections is obvious by contradiction: suppose it were not true, then there would exist a compatible one-port \mathcal{N}' such that the connection $\mathcal{N} - \mathcal{N}'$ has a solution $[\tilde{v}, \tilde{i}]$ with $\tilde{v} \neq \tilde{i}$. Now consider \mathcal{N}_a driven by the allowed voltage source $\tilde{e} \triangleq \tilde{v} + \tilde{i}$: by the w.s. solvability assumption and the definition of \tilde{v}, \tilde{i} there is only one possible port voltage and port current, namely, \tilde{v} and \tilde{i} . But the previous proof requires $\tilde{i} = \tilde{v}$. This is a contradiction, hence \mathcal{N} is equivalent to a one-ohm resistor under all compatible connections, i. e., \mathcal{N} is constant resistance.

2. Constant resistance implies self-duality and w. s. solvability. Let $[v_0, i_0]$ be an arbitrary pair of \mathcal{N} . Consider the one-port \mathcal{N}'_0 shown in Fig. 2: the current source i_0 and the voltage source v_0 of \mathcal{N}'_0 are independent sources; the nullator admits only the pair $[0, 0]$. By KCL, KVL and the defining relations of the elements of \mathcal{N}'_0 , the one-port \mathcal{N}'_0 admits only one pair $[v_0, -i_0]$. The connection $\mathcal{N} - \mathcal{N}'_0$ has a unique solution: $[v_0, i_0]$, i. e., \mathcal{N}'_0 is compatible with \mathcal{N} . By the constant resistance assumption, $v_0 = i_0$. Thus we have shown that, for all $[v, i] \in \mathcal{N}$, $v = i$. This implies that \mathcal{N} is self-dual. Given any allowed voltage e , the only solution of $e = v + i$, with $[v, i] \in \mathcal{N}$, is $v = i = (e/2)$, i. e., \mathcal{N} is w. s. solvable.

Q. E. D.

It follows from the proof of the theorem that \mathcal{N} is constant resistance if and only if $v = i$ for all $[v, i] \in \mathcal{N}$.

Remarks.

a. By interpreting all voltages and all currents as n-vectors one sees that all definitions and derivations are still valid, consequently the theorem holds for n-ports.

b. It should be stressed that the point of view adopted in this paper is strictly black box: only the port voltage and the port current are observable and the set of all pairs $[v, i]$ constitute the complete description of the one-port. An immediate consequence is that the theorem applies to any one-port: its elements may be lumped or distributed, active or passive, linear or nonlinear, time-varying or time-invariant. On the other hand one should keep in mind that the black box self-duality defined here does not imply, for example, that the graph of the network inside the box is a self-dual graph. For example, the linear time-invariant network of Fig. 3 of a previous paper [3] is self dual in the present (black box) sense but its graph is not a self-dual graph.

c. Given an arbitrary one-port \mathcal{N} and its dual \mathcal{N}^* (as defined in this paper), it is possible to use \mathcal{N} and \mathcal{N}^* as elements to obtain constant resistance one-ports. (See Examples 1 and 2 of Sec. III in Ref. [4].)

d. Let a be a fixed real number. If in the one-port shown in Fig. 2 we set $v_0(t) = -i_0(t) = a$ for all t , we then obtain a constant resistance one-port: indeed, its only pair is $[a, a]$. With $a = 0$, we see that the nullator is a constant resistance one-port.

e. The following one-port \mathcal{N}_1 shows that self-duality implies neither constant resistance nor w. s. solvability. Let \mathcal{N}_1 admit only constant voltages and currents and let its admissible pairs be $[V, I]$ where either $V = 2I$ or $V = 2^{-1}I$. \mathcal{N}_1 is clearly self-dual but neither constant resistance nor w. s. solvable.

References

- [1] L. A. Zadeh, "Constant-resistance networks of the linear varying-parameter type," Proc. IRE, Vol 39, pp. 688-691, June 1951.
- [2] C. A. Desoer and K. K. Wong, "Constant resistance nonlinear time varying one-ports," Proc. IEEE, 53, 11, pp. 1744-1745, Nov. 1965.

- [3] C. A. Desoer and K. K. Wong, "Constant resistance one-ports with nonlinear time-varying elements," IEEE International Convention Record, pp. 233-234, March 1966.
- [4] C. A. Desoer and K. K. Wong, "Constant resistance one-ports which include nonlinear time-varying elements," IEEE Transactions on Circuit Theory, to appear.
- [5] P. M. Lin, School of Electrical Engineering, Purdue University. Private communication.
- [6] C. A. Desoer and K. K. Wong, "Self-duality and constant resistance one-ports," Letter to the Editor, Proc. IEEE, to appear.
- [7] M. A. Harrison, Introduction to Switching and Automata Theory, McGraw-Hill, New York, 1965.
- [8] D. C. Youla, L. J. Castriota, and H. J. Carlin, "Bounded real scattering matrices and the foundations of linear passive network theory," IRE Transactions on Circuit Theory, Vol. CT-6, No. 1, pp. 102-124, March 1959.
- [9] R. W. Newcomb, "The foundations of network theory," Transactions of the Institution of Engineers, Australia, Vol. EM6, No. 1, pp. 7-12, May 1964.

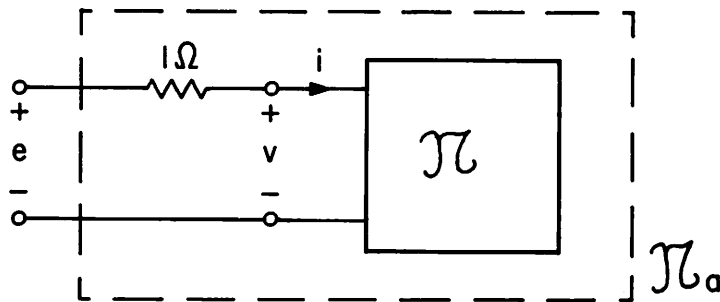


Fig. 1a. Physical relation between e, i, and v.

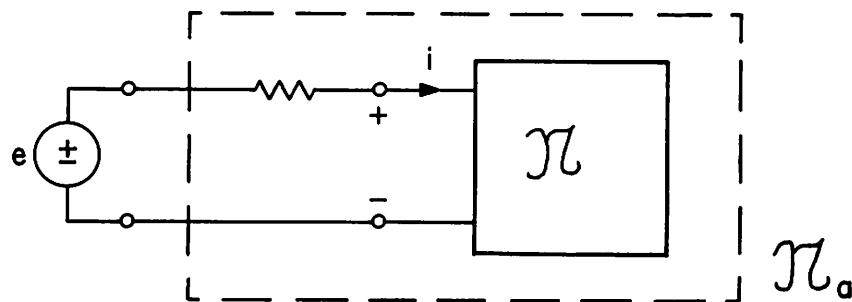


Fig. 1b. Circuit required for testing solvability.

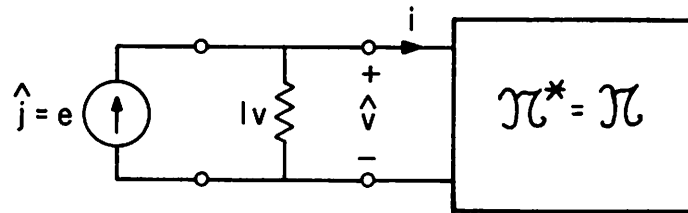


Fig. 1c. The dual of (b). \mathcal{N}^* , the dual of \mathcal{N} , is identical to \mathcal{N} since \mathcal{N} is self dual.

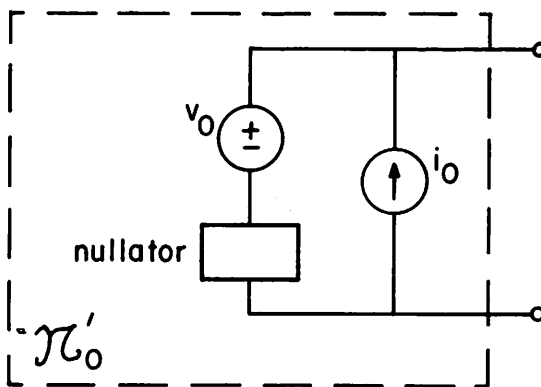


Fig. 2. \mathcal{N}'_0 is compatible with \mathcal{N} , and \mathcal{N}'_0 has only one admissible voltage current pair, namely $[v_0, -i_0]$.